

# INTEGRATED CYBER SERIES

## SMALL MOTORIZED SCREEN

The **INTEGRATED CYBER SERIES** is the perfect motorized screen option for anyone desiring a sleek and reliable design with a high-quality, practical operating system. The tensioned screen surface is smooth and renders a flawless image. Utilizing a floating bracket system and an aluminum alloy structure, the small screen is designed to withstand the wear and tear of regular use. Its durability and its quiet operating system make it a great fit for small commercial applications.

*Applications include: conference rooms, media rooms, home theaters, museums, educational and worship facilities.*



### FEATURES

- ▶ Enhanced heavy duty tubular motor
- ▶ Adjustable drop/retraction limit
- ▶ Generous amount of black drop
- ▶ Built-in control center
- ▶ IR remote control system
- ▶ 12v trigger plug-in
- ▶ RS-232 central command
- ▶ External IR interface
- ▶ Built in switch
- ▶ Floating L-bracket installation, wall or ceiling mount, adjustable and lockable

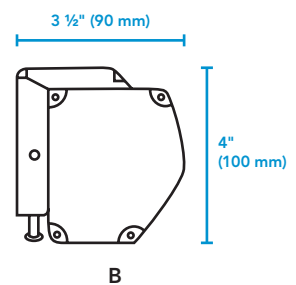
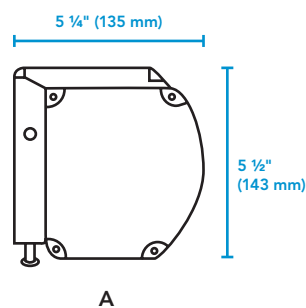
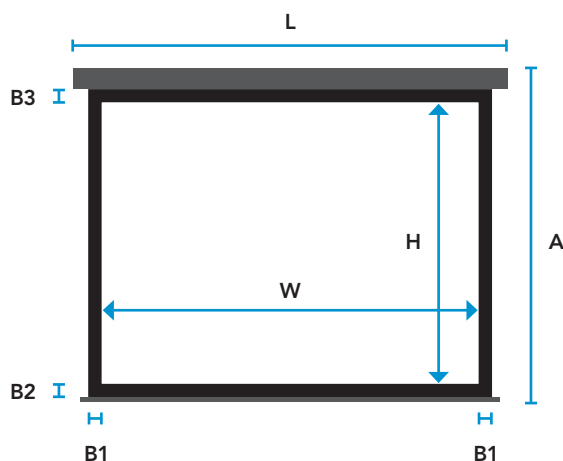
### OPTIONS

- ▶ Black or white casing
- ▶ Available screen surfaces: 1.0, 1.0+, Rearview, Studioview, Blackview (see screen specifications for details)
- ▶ Standard, micro or non-perforated screen option
- ▶ Other sizes available upon request
- ▶ Available in 4:3 format
- ▶ Black PVC borders

# INTEGRATED CYBER SERIES

## SMALL MOTORIZED SCREEN

		CB-MIR106	CB-MIR120	CB-MIR135	CB-MIR150	CB-MIR180
Format		16:9				
Diagonal	in / cm	106 / 269	120 / 305	135 / 343	150 / 381	180 / 457
Viewing area H x W	in cm	52 x 92 132 x 234	59 x 105 150 x 267	66 x 118 168 x 300	74 x 131 188 x 333	88 x 156 ½ 224 x 398
L	in / cm	101 ½ / 258	114 ¼ / 290	129 ½ / 329	142 ½ / 362	168 ½ / 428
A	in / cm	78 ½ / 199	81 ¼ / 207	86 ½ / 220	94 / 239	108 / 274
End cap model		B	A	A	A	A
B1	in / cm	2 / 5				
B2	in / cm	2 / 5		3 / 8		
B3	in / cm	19 ¾ / 50	15 ¾ / 40	11 ¾ / 30		
Weight	lbs / kg	31 / 14	32 / 14	56 / 26	75 / 34	101 / 46



FRONT VIEW

END-CAP VIEW