

INTEGRATED CYBER SERIES

MOTORIZED SCREEN SYSTEMS

Strong | MDI has added the Integrated Cyber series to its product offering to cater to the growing request for small motorized systems. The screens feature elegant design, quality build and a practical operating system. The structure is made out of a single piece of aluminum alloy, resulting in a seamless and solid structure that allows the system to run quietly. The high quality layered screen surface is smooth and renders a flawless image. In addition, the system features an innovative floating bracket system to ensure easy and secure installation.

Applications include: Conference rooms, media rooms, home theatres, museums, educational and worship facilities.



FEATURES

- ▶ Enhanced heavy duty tubular motor
- ▶ Adjustable drop/retraction limit
- ▶ Generous amount of black drop
- ▶ 4 layer matte white material with fiberglass backing
- ▶ Built-in control center
- ▶ IR remote control system
- ▶ 12v trigger plug-in
- ▶ RS-232 central command
- ▶ External IR interface
- ▶ Built in switch
- ▶ Floating L-bracket installation, wall or ceiling mount, adjustable and lockable

OPTIONS

- ▶ Black or white casing
- ▶ Available screen surfaces: 1.0, 1.0+, Rearview, Studioview, Blackview (see screen specifications for details)
- ▶ Standard, micro or non-perforated screen option
- ▶ Other sizes available upon request
- ▶ Available in 4:3 format
- ▶ Black pvc borders

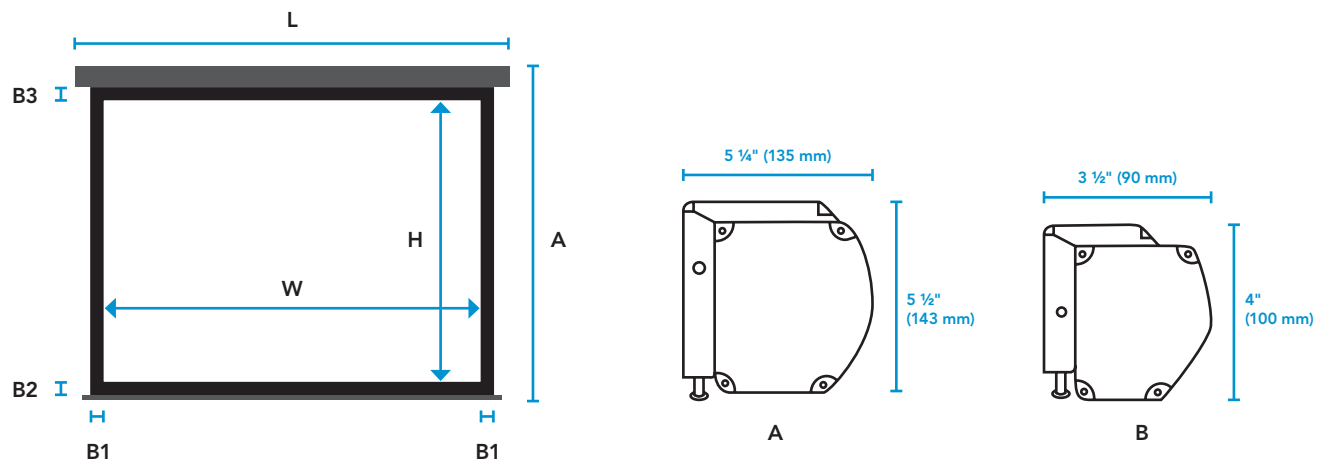


1 877 755-3795
sales@strongmdi.com
www.strongmdi.com

INTEGRATED CYBER SERIES

MOTORIZED SCREEN SYSTEMS

| | | CB-MIR106 | CB-MIR120 | CB-MIR135 | CB-MIR150 | CB-MIR180 |
|--------------------|----------|----------------------|-----------------------|-----------------------|-----------------------|-------------------------|
| Format | | 16:9 | | | | |
| Specifications | in / cm | 106 / 269 | 120 / 305 | 135 / 343 | 150 / 381 | 180 / 457 |
| Viewing area H × W | in cm | 52 × 92 132 × 234 | 59 × 105 150 × 267 | 66 × 118 168 × 300 | 74 × 131 188 × 333 | 88 × 156 ½ 224 × 398 |
| L | in / cm | 101 ½ / 258 | 114 ¼ / 290 | 129 ½ / 329 | 142 ½ / 362 | 168 ½ / 428 |
| A | in / cm | 78 ½ / 199 | 81 ¼ / 207 | 86 ½ / 220 | 94 / 239 | 108 / 274 |
| End cap model | | B | B | A | A | A |
| B1 | in / cm | 2 / 5 | | | | |
| B2 | in / cm | 2 / 6 | | 3 / 8 | | |
| B3 | in / cm | 19 ¾ / 50 | 15 ¾ / 40 | 11 ¾ / 30 | | |
| Weight | lbs / kg | 31 / 14 | 32 / 14 | 56 / 26 | 75 / 34 | 101 / 46 |



FRONT VIEW

END-CAP VIEW



1 877 755-3795
sales@strongmdi.com
www.strongmdi.com