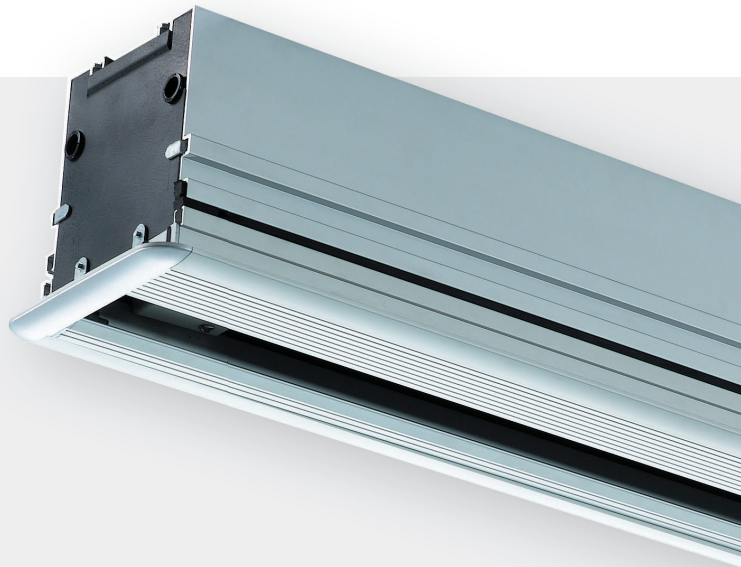


# RECESSED INTEGRATED CYBER SERIES

## MOTORIZED SCREEN SYSTEMS

The Recessed Ceiling Motorized Screen System uses a separated casing patented technology to reduce noise and vibration. The sturdy and easy to install hidden recessed screen is the ideal solution for applications requiring an attractive and practical screen that blends harmoniously into any decor.

*Applications include:* Home cinema, conference rooms, offices, classrooms.



### FEATURES

- ▶ Separated casing patented technology reduces noise
- ▶ Sturdy and lightweight aluminum alloy construction
- ▶ Available for all ceiling types
- ▶ Enhanced heavy duty tubular motor
- ▶ Adjustable drop/retraction limit
- ▶ Generous amount of black drop
- ▶ 4 layer matt white material with fibreglass backing
- ▶ Built-in control center
- ▶ IR remote control system
- ▶ 12v trigger plug-in
- ▶ RS/232 central command
- ▶ External IR interface
- ▶ Built in switch

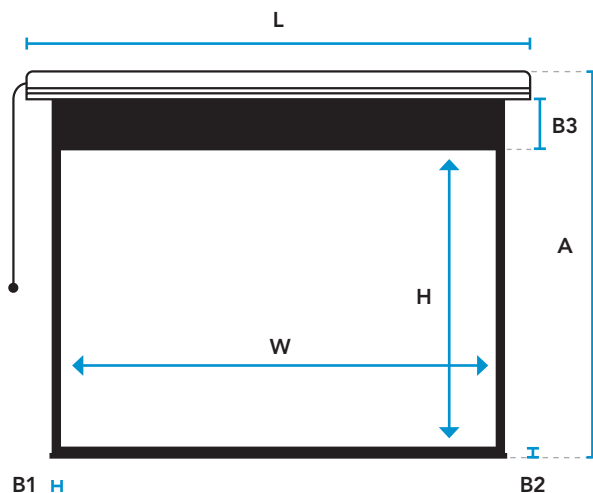
### OPTIONS

- ▶ Available screen surfaces: 1.0, 1.0+, Rearview, Studioview, Blackview (see screen specification for details)
- ▶ Standard, micro or non-perforated screen option
- ▶ Other sizes available upon request
- ▶ Available in 4:3 format

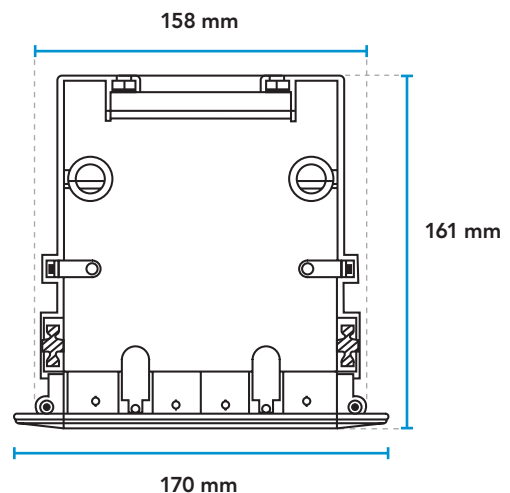


1 877 755-3795  
[sales@strongmdi.com](mailto:sales@strongmdi.com)  
[www.strongmdi.com](http://www.strongmdi.com)

Format 16:9		RCB-MIR106	RCB-MIR120	RCB-MIR150	RCB-MIR180	
Diagonal	in / cm	106 / 269	120 / 305	150 / 381	180 / 457	
Viewing area H x W	in cm	52 x 92 132 x 234	59 x 105 150 x 267	74 x 131 188 x 333	88 x 156 ½ 224 x 398	
L	in / cm	109 / 277	121 ¼ / 308	147 ½ / 375	176 / 447	
B1	in / cm	2 / 5		3 / 8		
B2	in / cm	2 / 5		3 / 8		
B3	in / cm	19 ¾ / 50	15 ¾ / 40	11 ¾ / 30		
Weight	lbs / kgs	63 / 29	71 / 32	90 / 41	108 / 49	
Format 16:10		RCB-MIR94	RCB-MIR113	RCB-MIR123	RCB-MIR137	RCB-MIR165
Diagonal	in / cm	94 / 239	113 / 287	123 / 312	137 / 348	165 / 419
Viewing area H x W	in cm	50 x 80 127 x 203	60 x 96 152 x 244	65 ¼ x 104 ¼ 166 x 265	72 ½ x 116 184 x 295	87 ½ x 140 222 x 355
L	in / cm	96 ½ / 245	112 ½ / 286	121 / 308	133 / 338	156 ½ / 398
B1	in / cm	2 / 5				
B2	in / cm	2 / 5		3 / 8		
B3	in / cm	27 ½ / 70	17 ¾ / 45	12 / 30	13 ¾ / 35	12 / 30
Weight	lbs / kgs	68 / 31	74 / 34	88 / 40	97 / 44	130 / 59



FRONT VIEW



END-CAP VIEW



1 877 755-3795  
[sales@strongmdi.com](mailto:sales@strongmdi.com)  
[www.strongmdi.com](http://www.strongmdi.com)