

MONARCH

INSTALLATION MANUAL



IMPORTANT

Unpack carefully and verify that all parts are included in the package. Manipulate frame and screen with care to avoid any damage.

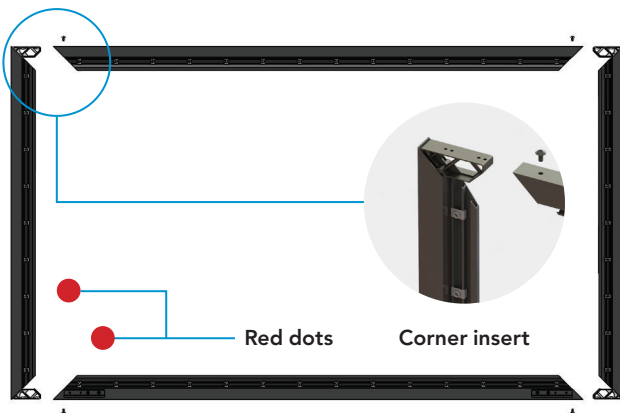
△ READ ALL INSTRUCTIONS BEFORE PROCEEDING

PARTS CHECKLIST:

- ▶ 4- Frame sections (2 - sides with inserts* and 2 - top and bottom)
 - ▶ 8- 1/4-20 X1/2" machine screws
 - ▶ 2- Wall brackets
 - ▶ 1- PVC screen (in a tube)
- Legs (optional):**
- ▶ 2- Part A.
 - ▶ 2- Part B.
 - ▶ 8- 1/4-20 X 1/2" machine screws

*Note that the corner inserts and the wall bracket mounts are pre-assembled.

If the box contains two Monarch structures: each structure is identified with a color dot, one red and the other green.



REAR VIEW / FIGURE 1

ASSEMBLY

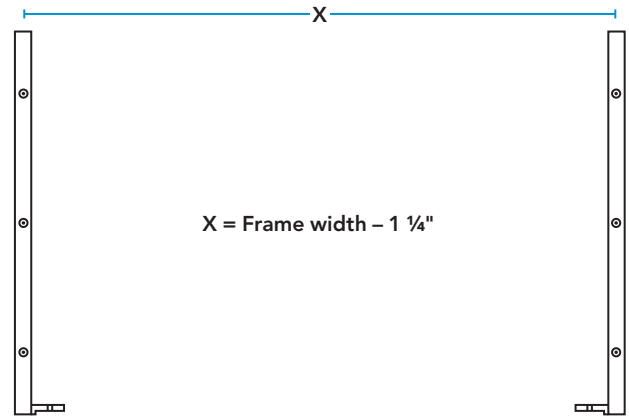
- 1- Place the four frame sections as indicated in fig.1. on a flat clean surface, taking care not to damage the frame finish.
- 2- Assemble the four sides by inserting the corners on the top and bottom parts.
- 3- Assemble each part with the 1/4-20 screws supplied. Apply gentle pressure on the corners while tightening the screws for a nicer joint finish.
- 4- Verify the finished frame and adjust if necessary.
- 5- Place the screen on the frame; align the red dot on the screen with the one on the frame. Handle screen by the edges only, avoid touching screen surface.
- 6- Attach the screen to the frame with the snaps and adjust if required. Snaps are pre-adjusted but may require minor adjustments.

WALL-MOUNT INSTRUCTIONS

Install wall brackets; refer to fig. 2 for the distance required between the wall brackets.

Install the frame onto the brackets

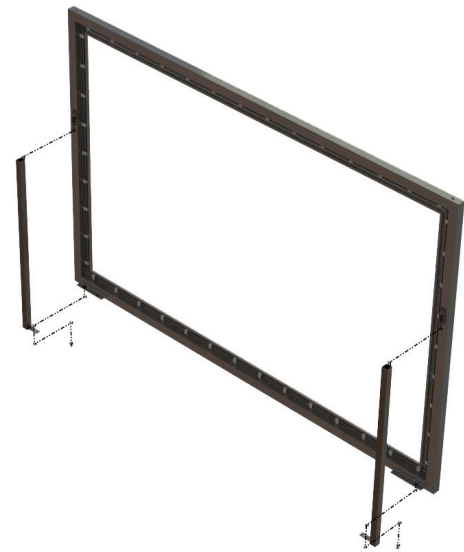
Screw the wall brackets onto the bottom of the frame with the supplied screws. (refer to fig. 3)



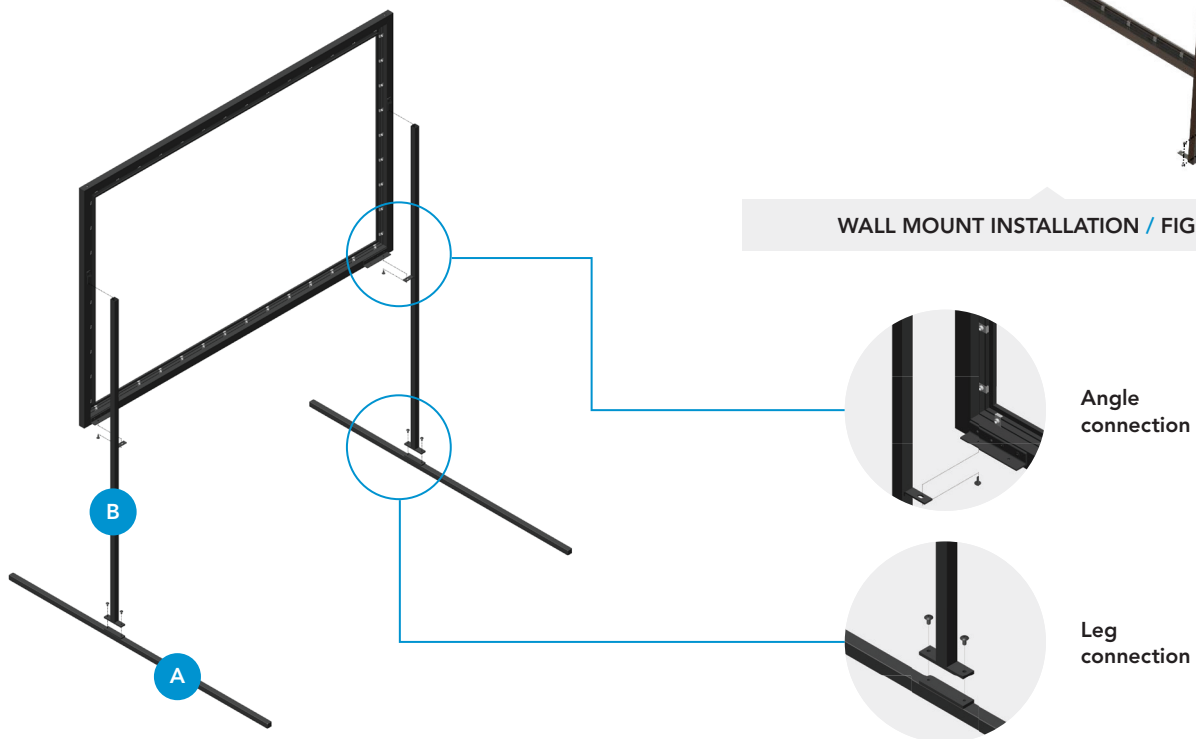
WALL BRACKETS / FIGURE 2

OPTIONAL LEG SUPPORT SYSTEM

- 1- Assemble parts A and B for each leg with 1/4-20 screws.
- 2- Insert the screen frame (refer to fig. 4). Be sure that the 2 leg brackets are properly inserted.
- 3- Fix angles to the legs with 1/4-20 screws.



WALL MOUNT INSTALLATION / FIGURE 3



LEG SUPPORT INSTALLATION / FIGURE 4